

## **ERS - 200 Series**

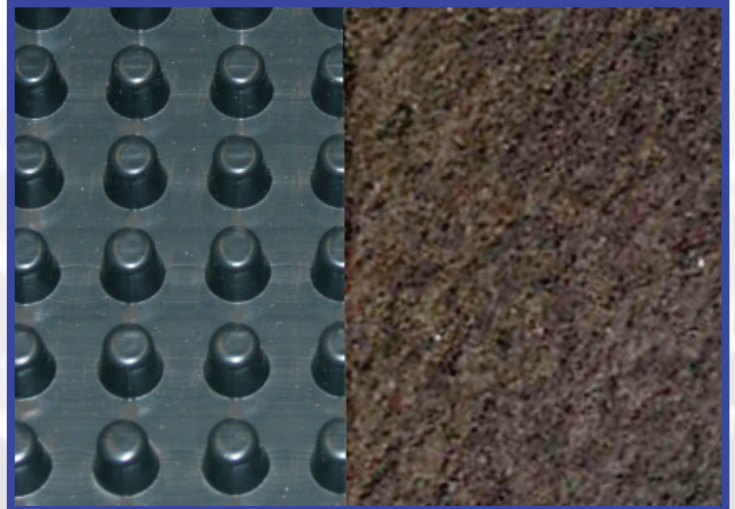
### **APPLICATIONS**

**Basement Foundations**

**Retaining Walls**

**Planters**

**Bridge Abutments**



**ERS - 200 Series** performs a multi-faceted role by providing protection for waterproofing systems and managing subsurface water around building foundations. Soil back fill is retained by a filter fabric while allowing water to pass into the drainage core providing hydrostatic relief. Collected water is then conveyed to a proper collection system.

**ERS - 200** Consists of a light duty impermeable polymeric sheet cusped under heat and pressure to form a high flow dimpled drainage core. The core is then bonded to a layer of non-woven filter fabric. The filter fabric retains soil and sand particle as well as freshly placed concrete or grout, allowing filtered water to pass into the drainage core. Limited to 10-15 feet of backfill.

**ERS - 220** The identical properties as **ERS - 200** with the addition of a protection sheet bonded to the back side of the cusped core providing protection for soft membrane waterproofing systems. **ERS - 220** is compatible with waterproofing systems without the use of a protection board. Limited to 10-15 feet of backfill.

**ERS Georgia:**

231 Rope Mill Parkway  
Woodstock, GA 30188

Phone: (678) 903-3614 | Email: [info@ersdb.com](mailto:info@ersdb.com)

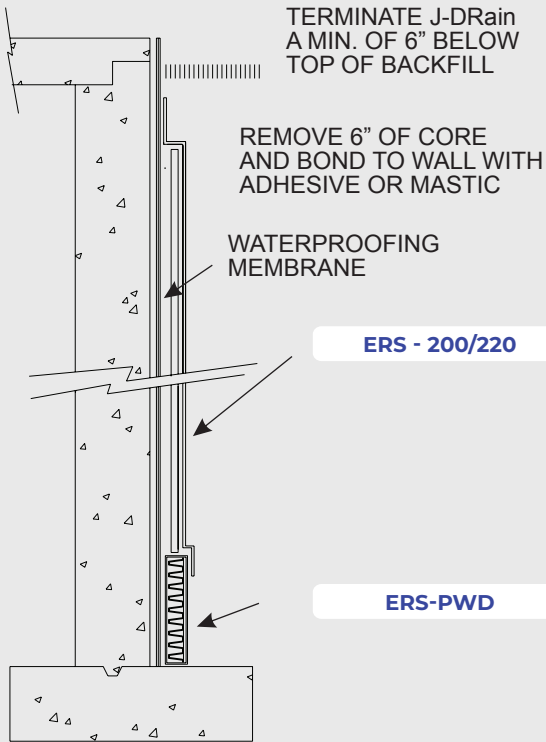
**ERS Virginia:**

116 Edwards Ferry Road NE, Unit S  
Leesburg, VA 20176

Phone: (301) 642-0049 | Email: [info@ersdb.com](mailto:info@ersdb.com)

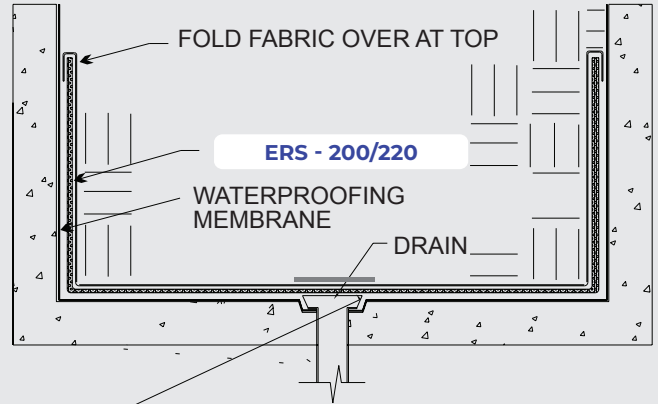
**ERS Florida:** Tampa, FL | Phone: (813) 523-0066 | Email: [info@ersdb.com](mailto:info@ersdb.com)





**APPLICATION: Foundation Wall or Retaining Wall**

**APPLICATION: Planters & Roof Gardens**



NOTE: When using ERS - 200/220 cut and remove drainage core and cover with an aluminum plate as shown.

**ERS - 200 Series**

**Core Physical Properties Fabric**

Compressive Strength (ASTM D-1621)	11,000 psf (527 kNm <sup>2</sup> )
Thickness (ASTM D-1777)	.40 in. (10.16 mm)
Flow (Hydraulic gradient =1) (ASTM D-4716)	18 g/min/ft (223 L/min/m)
Roll Weight	38, 61, 76 lbs. 17, 27, 34 kgs.
Roll Width	4, 6.5, 8 ft. 1.22, 1.98, 2.44 meters
Roll Length	50 ft. 15.24 meters

Flow (ASTMD-4491)	140 g/min/ft <sup>2</sup> 5704 l/min/m <sup>2</sup>
CBR Puncture (ASTMD-6241)	250Lbs. 1.11 kN
AOS(EOS)	70 U.S.Sieve .212 mm
Grab Tensile(ASTMD-4632)	100 lbs. .45 kN

[earthretention.com](http://earthretention.com)

The information contained herein is believed to be accurate and is offered solely for the customer's consideration, investigation and verification. Determination of suitability for use is the responsibility of the user. ERS's Limitations, Limited Warranty, & Disclaimer along with Standard Terms & Conditions apply. Limitations: ERS - 200 is resistant to chemicals in normal soil environments. However, some reagents may affect the performance of ERS - 500. An ERS representative should be contacted for further information to determine the suitability of use of ERS - 200 in unusual soil environments. ERS - 200 should be limited to its exposure to ultra-violet sunlight. ERS - 200 should be backfilled or covered within seven days of installation. Disclaimer: All information, drawings - specifications are based on the latest published information at the time of printing. ERS reserves the right to make changes due to manufacturing improvements and engineering at any time. All physical properties are minimum average roll values (MARV). Standard variations of 10% in mechanical properties and 15% in hydraulic properties are normal.